

Model			SOH16BO-E32DA4B	
Product Code			CB476000600	
Power Supply	Rated Voltage	V~	220-240	
	Rated Frequency	Hz	50	
	Phases		1	
Power Supply Mode			Outdoor	
Cooling Capacity		W	4600	
Heating Capacity		W	5200	
Cooling Power Input		W	1430	
Heating Power Input		W	1400	
Cooling Power Current		A	6.3	
Heating Power Current		A	6.2	
Rated Input		W	1700	
Rated Current		A	8	
Rated Heating Current		A	7.5	
Air Flow Volume(SH/H/M/L/SL)		m <sup>3</sup> /h	850/720/610/520/-	
Dehumidifying Volume		L/h	1.8	
EER		W/W	3.22	
COP		W/W	3.71	
SEER		W/W	6.1	
HSPF		W/W	/	
Application Area		m <sup>2</sup>	21-31	
Indoor Unit	Model of Indoor Unit		SOH16BO-E32DA4B/I	
	Product Code of Indoor Unit		CB476N00600	
	Fan Type		Cross-flow	
	Diameter Length(DXL)		mm	Φ106X706
	Fan Motor Cooling Speed(SH/H/M/L/SL)		r/min	1230/1130/1030/800/-
	Fan Motor Heating Speed(SH/H/M/L/SL)		r/min	1350/1200/1050/900/-
	Output of Fan Motor		W	35
	Fan Motor RLA		A	0.35
	Fan Motor Capacitor		μF	2.5
	Input of Heater		W	/
	Evaporator Form			Aluminum Fin-copper Tube
	Pipe Diameter		mm	Φ7
	Row-fin Gap		mm	2-1.4
	Coil Length (LXD <sub>X</sub> W)		mm	715X25.4X304.8
	Swing Motor Model			MP35CP
	Output of Swing Motor		W	2.5
	Fuse		A	3.15
	Sound Pressure Level (SH/H/M/L/SL)		dB (A)	49/45/41/36/-
	Sound Power Level (SH/H/M/L/SL)		dB (A)	58/55/51/46/-
	Dimension (WXHXD)		mm	970X300X225
	Dimension of Carton Box (LXWXH)		mm	1017X366X285
	Dimension of Package (LXWXH)		mm	1020X369X295
	Net Weight		kg	13.5
Gross Weight		kg	16.5	

Outdoor Unit	Model of Outdoor Unit		SOH16BO-E32DA4B/O	
	Product Code of Outdoor Unit		CB476W00600	
	Compressor Manufacturer/Trademark		ZHUHAI LANDA COMPRESSOR CO., LTD	
	Compressor Model		QXF-B096zE190A	
	Compressor Oil		FW68DA	
	Compressor Type		Rotary	
	L.R.A.	A		20
	Compressor RLA	A		4.21
	Compressor Power Input	W		943
	Overload Protector			/
	Throttling Method			Capillary
	Operation Temp	°C		16~30
	Ambient Temp (Cooling)	°C		-15~43
	Ambient Temp (Heating)	°C		-15~24
	Condenser Form			Aluminum Fin-copper Tube
	Pipe Diameter	mm		Φ7
	Rows-fin Gap	mm		2-1.4
	Coil Length (LXDXW)	mm		742X38.1X550
	Fan Motor Speed	rpm		900
	Output of Fan Motor	W		30
	Fan Motor RLA	A		0.4
	Fan Motor Capacitor	μF		/
	Air Flow Volume of Outdoor Unit	m <sup>3</sup> /h		2200
	Fan Type			Axial-flow
	Fan Diameter	mm		Φ438
	Defrosting Method			Automatic Defrosting
	Climate Type			T1
	Isolation			I
	Moisture Protection			IPX4
	Permissible Excessive Operating Pressure for the Discharge Side	MPa		4.3
	Permissible Excessive Operating Pressure for the Suction Side	MPa		2.5
Sound Pressure Level (H/M/L)	dB (A)		54/-/-	
Sound Power Level (H/M/L)	dB (A)		64/-/-	
Dimension (WXHxD)	mm		848X596X320	
Dimension of Carton Box (LXWXH)	mm		878X360X630	
Dimension of Package (LXWXH)	mm		881X363X645	
Net Weight	kg		34	
Gross Weight	kg		37	
Refrigerant			R32	
Refrigerant Charge	kg		0.77	
Connection Pipe	Length	m	5	
	Gas Additional Charge	g/m	16	
	Outer Diameter Liquid Pipe	mm	Φ6	
	Outer Diameter Gas Pipe	mm	Φ9.52	
	Max Distance Height	m	10	
	Max Distance Length	m	20	
	Note: The connection pipe applies metric diameter.			

The above data is subject to change without notice; please refer to the nameplate of the unit.

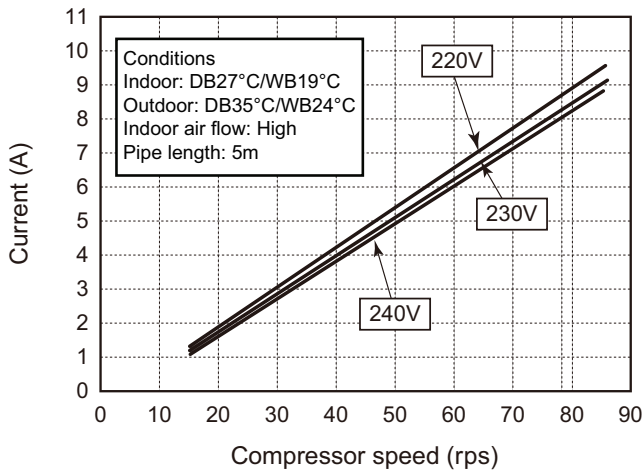
Parameter	Unit	Value	
Model		SOH24BO-E32DA4C	
Product Code		CB479000700	
Power Supply	Rated Voltage	V~ 220-240	
	Rated Frequency	Hz 50	
	Phases	1	
Power Supply Mode		Outdoor	
Cooling Capacity	W	6450	
Heating Capacity	W	6450	
Cooling Power Input	W	1950	
Heating Power Input	W	1735	
Cooling Current Input	A	8.4	
Heating Current Input	A	8.0	
Rated Input	W	3100	
Rated Current	A	13.04	
Air Flow Volume(SH/H/M/L/SL)	m <sup>3</sup> /h	1250/1050/950/850/-	
Dehumidifying Volume	L/h	2.0	
EER	W/W	3.3	
COP	W/W	3.71	
SEER	W/W	6.30	
SCOP(Average/Warmer/Colder)	W/W	4.0/5.1/3.3	
Application Area	m <sup>2</sup>	23-34	
Indoor Unit	Indoor Unit Model		SOH24BO-E32DA4C/I
	Indoor Unit Product Code		CB479N00700
	Fan Type		Cross-flow
	Fan Diameter Length(DXL)	mm	Φ108X830
	Cooling Speed(SH/H/M/L/SL)	r/min	1250/1000/900/800/-
	Heating Speed(SH/H/M/L/SL)	r/min	1250/1000/900/850/-
	Fan Motor Power Output	W	35
	Fan Motor RLA	A	0.35
	Fan Motor Capacitor	μF	3
	Evaporator Form		Aluminum Fin-copper Tube
	Evaporator Pipe Diameter	mm	Φ7
	Evaporator Row-fin Gap	mm	2-1.4
	Evaporator Coil Length (LXDXW)	mm	845X25.4X342.9
	Swing Motor Model		MP35CJ
	Swing Motor Power Output	W	2.5
	Fuse Current	A	3.15
	Sound Pressure Level(SH/H/M/L/SL)	dB (A)	49/44/41/39/-
	Sound Power Level(SH/H/M/L/SL)	dB (A)	63/59/56/53/-
	Dimension (WXHDX)	mm	1078X325X246
	Dimension of Carton Box (LXWXH)	mm	1145X410X335
Dimension of Package(LXWXH)	mm	1148X413X350	
Net Weight	kg	16.5	
Gross Weight	kg	20	

Outdoor Unit	Outdoor Unit Model		SOH24BO-E32DA4C	
	Outdoor Unit Product Code		CB419W12200	
	Compressor Manufacturer		ZHUHAI LANDA COMPRESSOR CO.,LTD.	
	Compressor Model		QXFS-D23zX090A	
	Compressor Oil		FW68DA	
	Compressor Type		Rotary	
	Compressor LRA.	A		25
	Compressor RLA	A		11.50
	Compressor Power Input	W		2400
	Compressor Overload Protector			1NT11L-6233 or HPC115/95/ or KSD115°C
	Throttling Method			Electron expansion valve
	Set Temperature Range	°C		16~30
	Cooling Operation Ambient Temperature Range	°C		-15~43
	Heating Operation Ambient Temperature Range	°C		-15~24
	Condenser Form			Aluminum Fin-copper Tube
	Condenser Pipe Diameter	mm		Φ7
	Condenser Rows-fin Gap	mm		2-1.4
	Condenser Coil Length (LXD <sub>X</sub> W)	mm		935X38.1X660
	Fan Motor Speed	rpm		800
	Fan Motor Power Output	W		60
	Fan Motor RLA	A		0.58
	Fan Motor Capacitor	μF		/
	Outdoor Unit Air Flow Volume	m <sup>3</sup> /h		3200
	Fan Type			Axial-flow
	Fan Diameter	mm		Φ520
	Defrosting Method			Automatic Defrosting
	Climate Type			T1
	Isolation			I
	Moisture Protection			IPX4
	Permissible Excessive Operating Pressure for the Discharge Side	MPa		4.3
Permissible Excessive Operating Pressure for the Suction Side	MPa		2.5	
Sound Pressure Level (H/M/L)	dB (A)		58/-/-	
Sound Power Level (H/M/L)	dB (A)		68/-/-	
Dimension(WXH <sub>X</sub> D)	mm		963X700X396	
Dimension of Carton Box (LXWXH)	mm		1026X455X735	
Dimension of Package(LXWXH)	mm		1029X458X750	
Net Weight	kg		52.5	
Gross Weight	kg		57	
Refrigerant			R32	
Refrigerant Charge	kg		1.7	
Connection Pipe	Connection Pipe Length	m	5	
	Connection Pipe Gas Additional Charge	g/m	40	
	Outer Diameter Liquid Pipe	mm	Φ6	
	Outer Diameter Gas Pipe	mm	Φ16	
	Max Distance Height	m	10	
	Max Distance Length	m	25	
Note: The connection pipe applies metric diameter.				

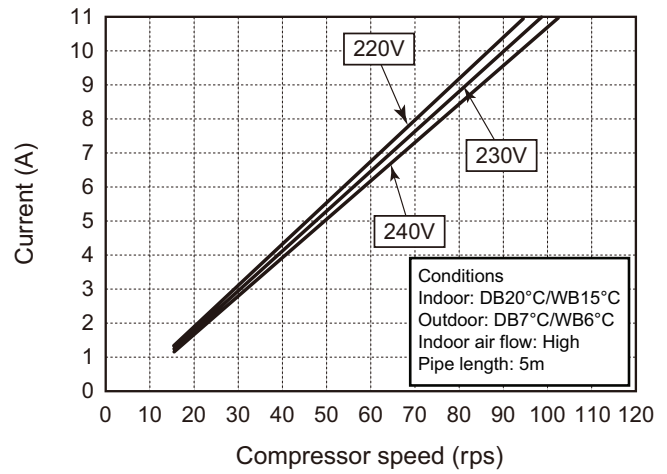
The above data is subject to change without notice. Please refer to the nameplate of the unit.

## 2.2 Operation Characteristic Curve

Cooling

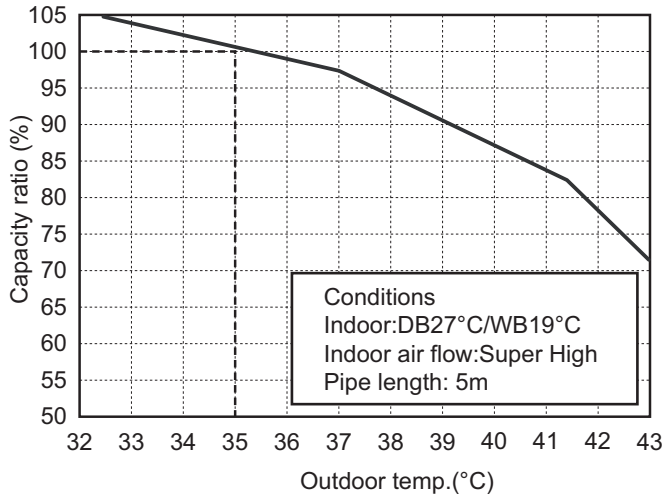


Heating

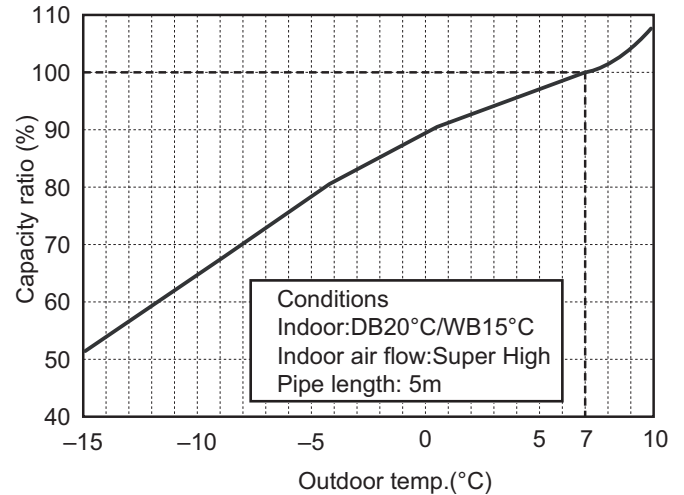


## 2.2 Capacity Curve in Different Outdoor Temperature

Cooling



Heating



## 2.3 Cooling and Heating Data Sheet in Rated Frequency

Cooling

Rated cooling condition(°C) (DB/WB)		Model	Pressure of gas pipe connecting indoor and outdoor unit	Inlet and outlet pipe temperature of heat exchanger		Fan speed of indoor unit	Fan speed of outdoor unit
Indoor	Outdoor			T1 (°C)	T2 (°C)		
27/19	35/24	18/24K	P (MPa) 0.8~1.0	in:8~11 out:11~14	in:75~85 out:37~43	Super High	High

Heating

Rated heating condition(°C) (DB/WB)		Model	Pressure of gas pipe connecting indoor and outdoor unit	Inlet and outlet pipe temperature of heat exchanger		Fan speed of indoor unit	Fan speed of outdoor unit
Indoor	Outdoor			T1 (°C)	T2 (°C)		
20/-	7/6	18/24K	P (MPa) 3.5~3.8	in:75~85 out:37~43	in:1~3 out:2~5	Super High	High

**Instruction:**

T1: Inlet and outlet pipe temperature of evaporator

T2: Inlet and outlet pipe temperature of condenser

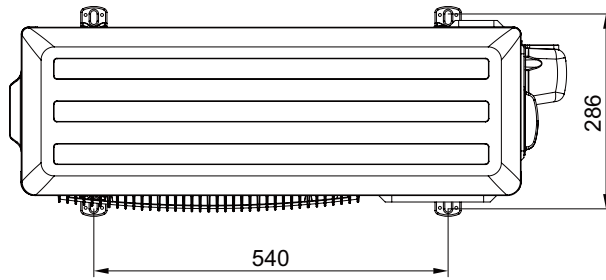
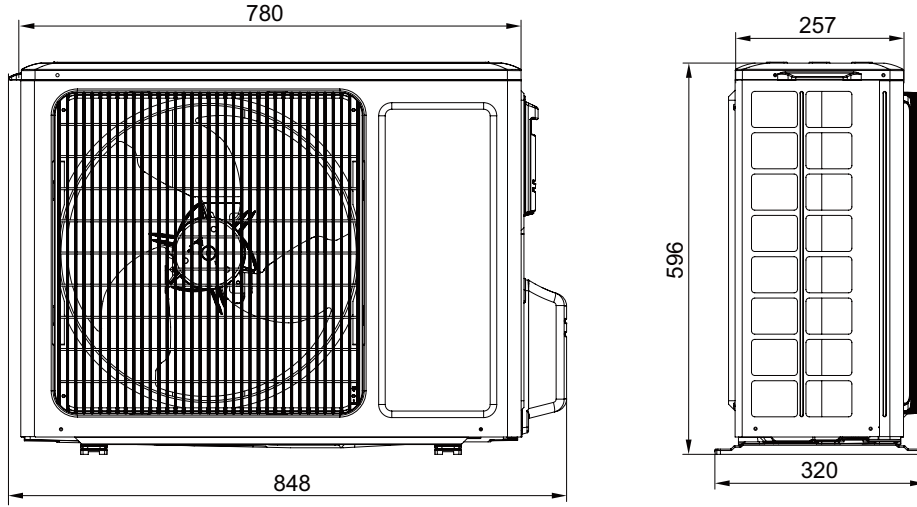
P: Pressure at the side of big valve

Connection pipe length: 5m.



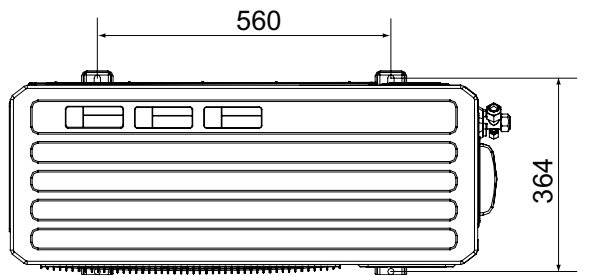
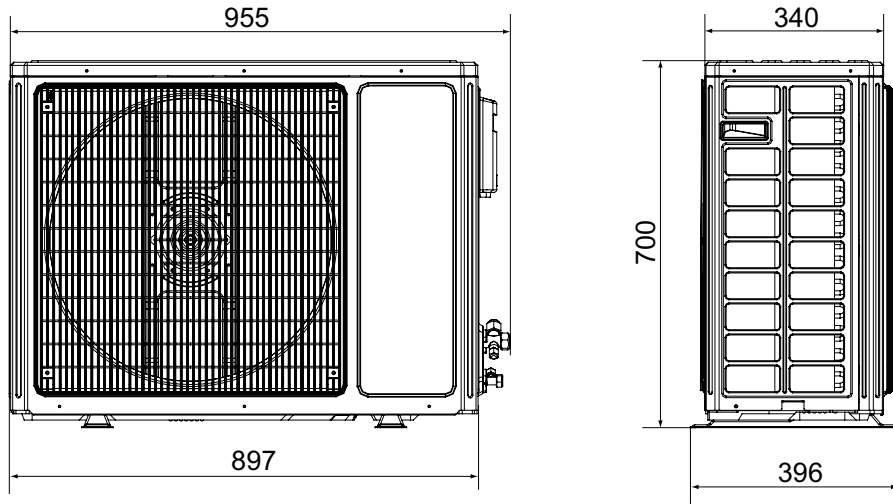
### 3.2 Outdoor Unit

18K



Unit:mm

24K



Unit:mm